

CLANFIX

HFR NUT

LOCKING BLIND RIVET NUT

January 2017

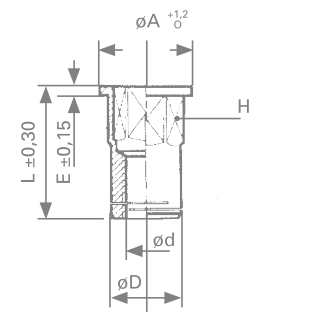
Definition: self-locking blind rivet nut

Threading: standard to ISO 262 and ISO 965-2

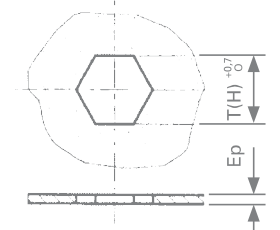
Characteristic and performance test: for steel standard to NF EN ISO 2320
for stainless steel standard to NF EN ISO 3506-2



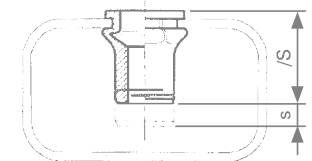
d	sheet thickness (Ep)	T	T(H)	diameter (A)	diameter (D)	L	E
M 4 x 0,70	1,00 -> 2,50	7,00	7,00	9,00	7,00	16,20	1,00
M 5 x 0,80	1,50-> 3,00	9,00	9,00	11,00	9,00	20,40	1,20
M 6 x 1,00	1,50 -> 3,50	11,00	11,00	14,00	11,00	23,40	1,50
M 8 x 1,25	2,00 -> 4,00	13,00	13,00	16,00	13,00	28,80	1,50
M 10 x 1,50	2,50 -> 4,50	16,00	16,00	20,00	16,00	32,20	1,70
M 12 x 1,75	3,00 -> 5,00	18,00	18,00	23,00	18,00	37,30	2,00



Quality class	Classification	Range of application
Steel	QJ	Self color -50° C +300° C ⁽¹⁾
Stainless steel A2-70	ZE	Corrosive atmosphere -200° C +400° C ⁽¹⁾
Stainless steel A4-80	ZH	



⁽¹⁾ Values are only given as an indication



Surface treatment (standard to ROHS requirements)

Electroplated Zinc (steel)	Yellow	ZJ	ISO 4042
	Clear Lanthane ®	ZL	400 h
	Clear Lanthane ® + Topcoat	ZF	600 h
Zinc Flake (steel)	Geomet ®, Delta Protekt ®, Magni ®		600 / 1000h
Antigalling (stainless steel)	Stanal ® 400	ST	
	Sherardisation (NF EN 13811)	SH	
Plain Finish	Light Protective Oil	BT	

Example of ordering code

	Type	Diam X pitch	Class	Protection	
wording classification	CLAN	100150	ZH	ST	00
wording	CLANFIX	M10 X 1,50	Stainless steel 316L	Stanal ®	*

* Standard size

On request: other materials, plating, sizes, imperial thread