

ERM
HFR WITH CAPTIVE FREE SPINNING WASHER
ALL METALS - UNC / UNF

Definition: all metal reusable dual slotted self-locking hexagon nut with captive free spinning washer

Threading: series UNC / UNF ANSI B1.1 and BS 1580 - BSF / BSW on request

Characteristic and performance test: for steel ISO 898-2 / ISO 2320

for stainless steel ISO 3506-2 / NF E 25035

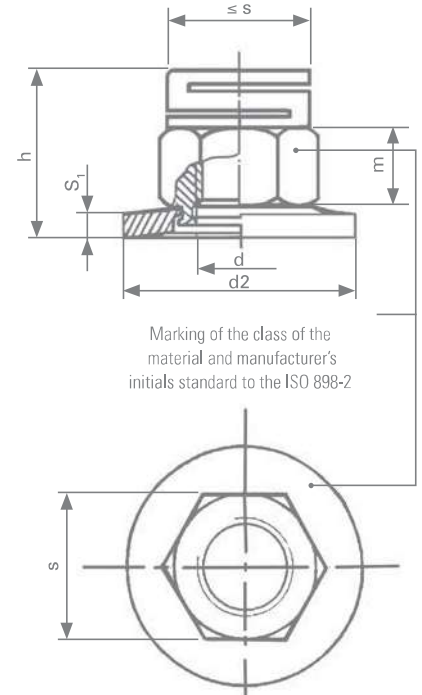


size	UNC	UNF	s	h	m	d ₂ *	s ₁	codes
N°10	24	32	0.354	0.315	0.118	0.551	0.051	I
1/4	20	28	0.433	0.374	0.157	0.709	0.055	K
5/16	18	24	0.512	0.425	0.189	0.866	0.063	L
3/8	16	24	0.551	0.425	0.189	0.866	0.063	M
7/16	14	20	0.669	0.531	0.236	1.060	0.071	N
1/2	13	20	0.748	0.622	0.284	1.181	0.094	O
5/8	11	18	0.945	0.827	0.374	1.575	0.126	Q
3/4	10	16	1.10	0.984	0.472	1.575	0.126	R
7/8	9	14	1.250	1.024	0.500	1.575	0.126	S

* Different type and diameter of washers can be supplied on request

Quality class	Classification	Range of application
Grade 5 steel	QV	Self color -50° C +300° C ⁽¹⁾
Grade 8 steel	QK	
Class 12 steel / Grade 10	QL	
Stainless steel 304L	ZE	Corrosive atmosphere -200° C +400° C ⁽¹⁾
Stainless steel 316L	ZH	

⁽¹⁾ Values are only given as an indication


Surface treatment (standard to ROHS requirements)

Electroplated Zinc (steel)	Yellow	ZJ	ISO 4042
	Clear Lanthane ®	ZL	400 h
	Clear Lanthane ® + Topcoat	ZF	600 h
Zinc Flake (steel)	Geomet ®, Delta Protekt ®, Magni ®		600 / 1000h
Antigalling (stainless steel)	Stanal ® 400	ST	
	Sherardisation (NF EN 13811)	SH	
Plain Finish	Light Protective Oil	BT	

Example of ordering code

	Type	Diam X pitch	Class	Protection	
classification	ERM	N00UNF	QV	ZL	01
wording	ERM	ø 7/16" UNF	8	Zinc Lanthane®	*

* Standard size

On request: other materials, plating, sizes